

PAL-100/133/150/200



- Negro forja / Forge black
- Gris forja / Forge grey
- Acero inox / Stainless steel
- Aluminio / Aluminium

Conjunto de luminaria y columna para alumbrado ambiental, de elegante diseño, se integra en armonía con su entorno arquitectónico. Se puede aplicar en calles, parques y jardines así como zonas urbanas.

Set of luminaire and column for ambient lighting, elegant design, integrates in harmony with its architectural environment. It can be applied in streets, parks and gardens as well as urban areas.



Descripción/Description

LUMINARIA

- Bastidor interior en tubo de acero inoxidable AISI-304.
- Difusor cilíndrico de PMMA transparente, PMMA-HT satinado o PC opal, según modelo. De alta resistencia al impacto y estabilizado a la radiación UV. 4 diámetros disponibles: Ø100mm, Ø133mm, Ø150mm, Ø200mm, según modelo.
- Tapas y remates inferior y superior en acero inoxidable AISI-304 acabado electropulido brillo o pintadas.
- Juntas de estanqueidad de silicona.
- Fuente de alimentación 230V-50Hz o 220-240V/50-60Hz.
- Estanqueidad: IP65. Protección: IK10. Aislamiento: CLI.
- Bajo petición: diversas distribuciones fotométricas y sistemas de control.

COLUMNA

- Fuste cilíndrico de 2m (PAL-100) o 3m de 100mm, 133mm, 150mm o 200mm de diámetro.
- Materiales:
 - a) Acero galvanizado de 4mm, pintado en gris o negro forja.
 - b) Acero inoxidable de 3mm, acabado pulido.
 - c) Aluminio cepillado, calidad 6063T5 anodizado mate.
- Bajo petición, aro embellecedor, otros colores y alturas.

LUMINAIRE

- Internal structure: made of stainless steel AISI-304.
- Diffuser: PMMA transparent, satin PMMA-HT or opal PC cylinder, depending on type. High impact resistance and UV stabilized. 4 diameters available: Ø100mm, Ø133mm, Ø150mm, Ø200mm, depending on type.
- Cover: made of electropolished or painted stainless steel AISI-304.
- Gaskets: silicone.
- Power Supply: 230V-50Hz or 220-240V/50-60Hz.
- Sealing: IP65. Protection: IK10. Electrical class: CLI.
- Optional: Different photometric distributions and dimming controls.

POLE

- Pole: 2m (PAL-100) / 3m cylindrical available with: 100mm, 133mm, 150mm or 200mm diameter.
- Materiales:
 - a) Galvanized steel: 4mm thick, painted in grey or black forge.
 - b) Stainless steel: 3mm thick.
 - c) Brushed aluminium 4mm thick, type 6063T5 matt anodized.
- On demand: Trim ring, other colours and heights.

PAL-100

| Código | Acabado | Potencia | Lámpara | Portalámpara | Tensión | Difusor | Altura | Distribución |
|--------|--|----------|---------|--------------|----------|------------|--------|----------------------------------|
| Code | Finish | Power | Lamp | Lampholder | Voltage | Diffuser | Height | Distribution |
| UR-130 | Acero Galvanizado Galvanised steel | 2x18w | T8 | G13 | 220-240V | PMMA SATIN | 2,70m | Rotosimétrica Rotosymmetrical |
| UR-132 | | 2x36w | TC-L | 2G11 | | | 2,70m | |
| UR-133 | | 2x55w | TC-L | 2G11 | | | 3m | |
| UR-134 | | 2x55w | TC-L | 2G11 | | | 4m | |
| UR-140 | Acero Inox. Pulido Polishedstainlesssteel | 2x18w | T8 | G13 | 220-240V | PMMA SATIN | 2,70m | Rotosimétrica Rotosymmetrical |
| UR-142 | | 2x36w | TC-L | 2G11 | | | 2,70m | |
| UR-143 | | 2x55w | TC-L | 2G11 | | | 3m | |
| UR-144 | | 2x55w | TC-L | 2G11 | | | 4m | |

PAL-133

| Código | Acabado | Potencia | Lámpara | Portalámpara | Tensión | Difusor | Altura | Distribución | | |
|--------|---------------------------------------|----------|----------|--------------|---------|----------|--------|----------------------------------|--------------|------|
| Code | Finish | Power | Lamp | Lampholder | Voltage | Diffuser | Height | Distribution | | |
| UR-05 | Acero Galvanizado Galvanised steel | 4x36W | T8 | G13 | 230V | PMMA | 4,3m | Rotosimétrica Rotosymmetrical | | |
| UR-06 | | 4x58W | T8 | G13 | | | 4,6m | | | |
| UR-21 | | 2x70W | VMH/VSAP | E27 | | | 230V | | Transp.Lamas | 4,1m |
| UR-22 | | 2x100W | VMH/VSAP | E40 | | | 4,1m | | | |

PAL-150

| Código | Acabado | Potencia | Lámpara | Portalámpara | Tensión | Difusor | Altura | Distribución | |
|--------|--|----------|----------|--------------|----------|-------------------|---------|----------------------------------|----------------------------------|
| Code | Finish | Power | Lamp | Lampholder | Voltage | Diffuser | Height | Distribution | |
| UR-07 | Acero Galvanizado Galvanised steel | 4x36W | T8 | G13 | 220-240V | PMMA / T.Lamas | 4,3m | Rotosimétrica Rotosymmetrical | |
| UR-08 | | 4x58W | T8 | G13 | | | 4,6m | | |
| UR-09 | | 2x70W | VMH/VSAP | E27 | 230V | | 4,1m | | |
| UR-10 | | 2x100W | VMH/VSAP | E40 | | | 4,1m | | |
| UR-17 | | 4x36W | T8 | G13 | 220-240V | | PC OPAL | | 4,3m |
| UR-18 | | 4x58W | T8 | G13 | | | | | 4,6m |
| UR-19 | | 2x70W | VMH/VSAP | E27 | 230V | | | | 4,1m |
| UR-20 | | 2x100W | VMH/VSAP | E40 | | | | | 4,1m |
| UR-90 | Acero Inox. Pulido Polishedstainlesssteel | 4x36W | T8 | G13 | 220-240V | PMMA / T.Lamas | | 4,3m | Rotosimétrica Rotosymmetrical |
| UR-91 | | 4x58W | T8 | G13 | | | | 4,6m | |
| UR-92 | | 2x70W | VMH/VSAP | E27 | 230V | | | 4,1m | |
| UR-93 | | 2x100W | VMH/VSAP | E40 | | | | 4,1m | |
| UR-94 | | 4x36W | T8 | G13 | 220-240V | | PC OPAL | 4,3m | |
| UR-95 | | 4x58W | T8 | G13 | | | | 4,6m | |
| UR-96 | | 2x70W | VMH/VSAP | E27 | 230V | | | 4,1m | |
| UR-97 | | 2x100W | VMH/VSAP | E40 | | | | 4,1m | |

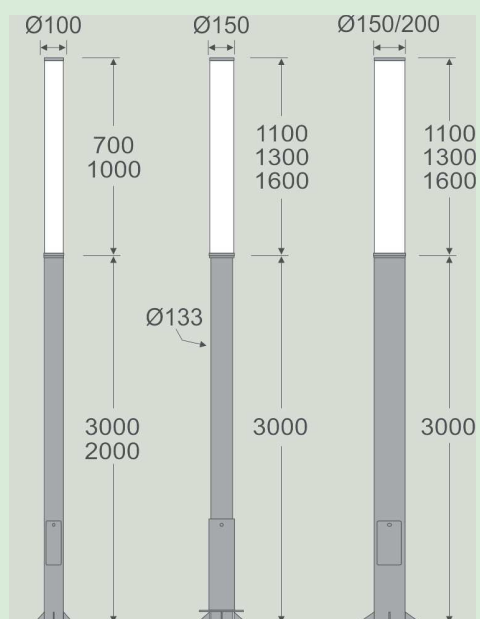
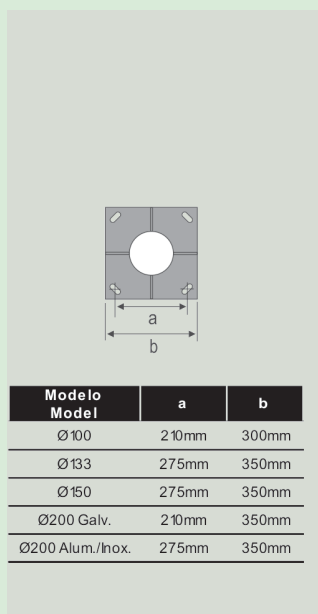
PAL-200

| Código | Acabado | Potencia | Lámpara | Portalámpara | Tensión | Difusor | Altura | Distribución |
|--------|--|----------|----------|--------------|----------|--------------------|--------|----------------------------------|
| Code | Finish | Power | Lamp | Lampholder | Voltage | Diffuser | Height | Distribution |
| UR-60 | Acero Galvanizado Galvanised steel | 2x70W | VMH/VSAP | E27 | 230V | PC OPAL | 4,1m | Rotosimétrica Rotosymmetrical |
| UR-31 | | 2x100W | VMH/VSAP | E40 | | | | |
| UR-32 | | 4x36W | T8 | G13 | 220-240V | | 4,3m | |
| UR-34 | | 4x58W | T8 | G13 | | | 4,6m | |
| UR-80 | | 2x42W | TC-TE | Gx24q4 | 4,1m | | | |
| UR-62 | | 4x55W | TC-L | 2G11 | 4,1m | | | |
| UR-63 | | 2x70W | VMH/VSAP | E27 | 230V | PMMA-HT T.Lamas | 4,1m | Rotosimétrica Rotosymmetrical |
| UR-36 | | 2x100W | VMH/VSAP | E40 | | | | |
| UR-37 | | 4x36W | T8 | G13 | 220-240V | | 4,3m | |
| UR-39 | | 4x58W | T8 | G13 | | | 4,6m | |
| UR-81 | | 2x42W | TC-TE | Gx24q4 | 4,1m | | | |
| UR-65 | | 4x55W | TC-L | 2G11 | 4,1m | | | |
| UR-72 | Acero Inox. Pulido Polishedstainlesssteel | 2x70W | VMH/VSAP | E27 | 230V | PC OPAL | 4,1m | Rotosimétrica Rotosymmetrical |
| UR-51 | | 2x100W | VMH/VSAP | E40 | | | | |
| UR-52 | | 4x36W | T8 | G13 | 220-240V | | 4,3m | |
| UR-54 | | 4x58W | T8 | G13 | | | 4,6m | |
| UR-84 | | 2x42W | TC-TE | Gx24q4 | 4,1m | | | |
| UR-74 | | 4x55W | TC-L | 2G11 | 4,1m | | | |
| UR-75 | | 2x70W | VMH/VSAP | E27 | 230V | PMMA-HT T.Lamas | 4,1m | Rotosimétrica Rotosymmetrical |
| UR-56 | | 2x100W | VMH/VSAP | E40 | | | | |
| UR-57 | | 4x36W | T8 | G13 | 220-240V | | 4,3m | |
| UR-59 | | 4x58W | T8 | G13 | | | 4,6m | |
| UR-85 | | 2x42W | TC-TE | Gx24q4 | 4,1m | | | |
| UR-77 | | 4x55W | TC-L | 2G11 | 4,1m | | | |
| UR-66 | Aluminio Cepillado Brushed aluminum | 2x70W | VMH/VSAP | E27 | 230V | PC OPAL | 4,1m | Rotosimétrica Rotosymmetrical |
| UR41 | | 2x100W | VMH/VSAP | E40 | | | | |
| UR-42 | | 4x36W | T8 | G13 | 220-240V | | 4,3m | |
| UR-44 | | 4x58W | T8 | G13 | | | 4,6m | |
| UR-82 | | 2x42W | TC-TE | Gx24q4 | 4,1m | | | |
| UR-68 | | 4x55W | TC-L | 2G11 | 4,1m | | | |
| UR-69 | | 2x70W | VMH/VSAP | E27 | 230V | PMMA-HT T.Lamas | 4,1m | Rotosimétrica Rotosymmetrical |
| UR-46 | | 2x100W | VMH/VSAP | E40 | | | | |
| UR-47 | | 4x36W | T8 | G13 | 220-240V | | 4,3m | |
| UR-49 | | 4x58W | T8 | G13 | | | 4,6m | |
| UR-83 | | 2x42W | TC-TE | Gx24q4 | 4,1m | | | |
| UR-71 | | 4x55W | TC-L | 2G11 | 4,1m | | | |

Accesorios / Accessories

| Código Code | Descripción Description |
|---------------|---|
| UR-9902 | Inclinación columna / Pole inclination 82° or 75° |
| IL-137-2P | Pintado PAL-100 de 2m en colores RAL o Forja / Panted PAL-100 2m in RAL or Forge colors |
| IL-137-3P | Pintado PAL-100 de 3m en colores RAL o Forja / Panted PAL-100 3m in RAL or Forge colors |
| IL-115P | Pintado PAL-133 de 3m en colores RAL o Forja / Panted PAL-133 3m in RAL or Forge colors |
| IL-224P | Pintado PAL-150 de 3m en colores RAL o Forja / Panted PAL-150 3m in RAL or Forge colors |
| IL-137P | Pintado PAL-200 de 3m en colores RAL o Forja / Panted PAL-200 3m in RAL or Forge colors |

Dimensiones / Dimmensions



Dimensiones en mm / Dimmensions in mm